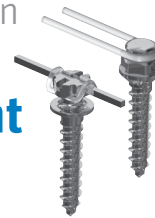
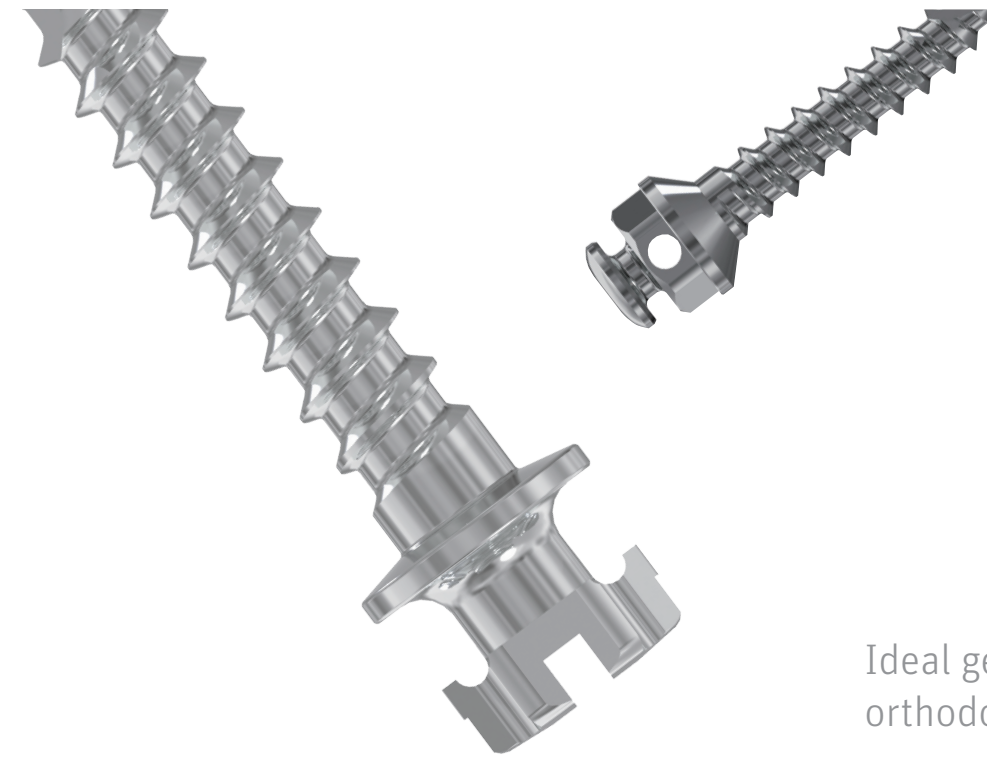


Ideal generation  
of orthodontic  
**mini implant**

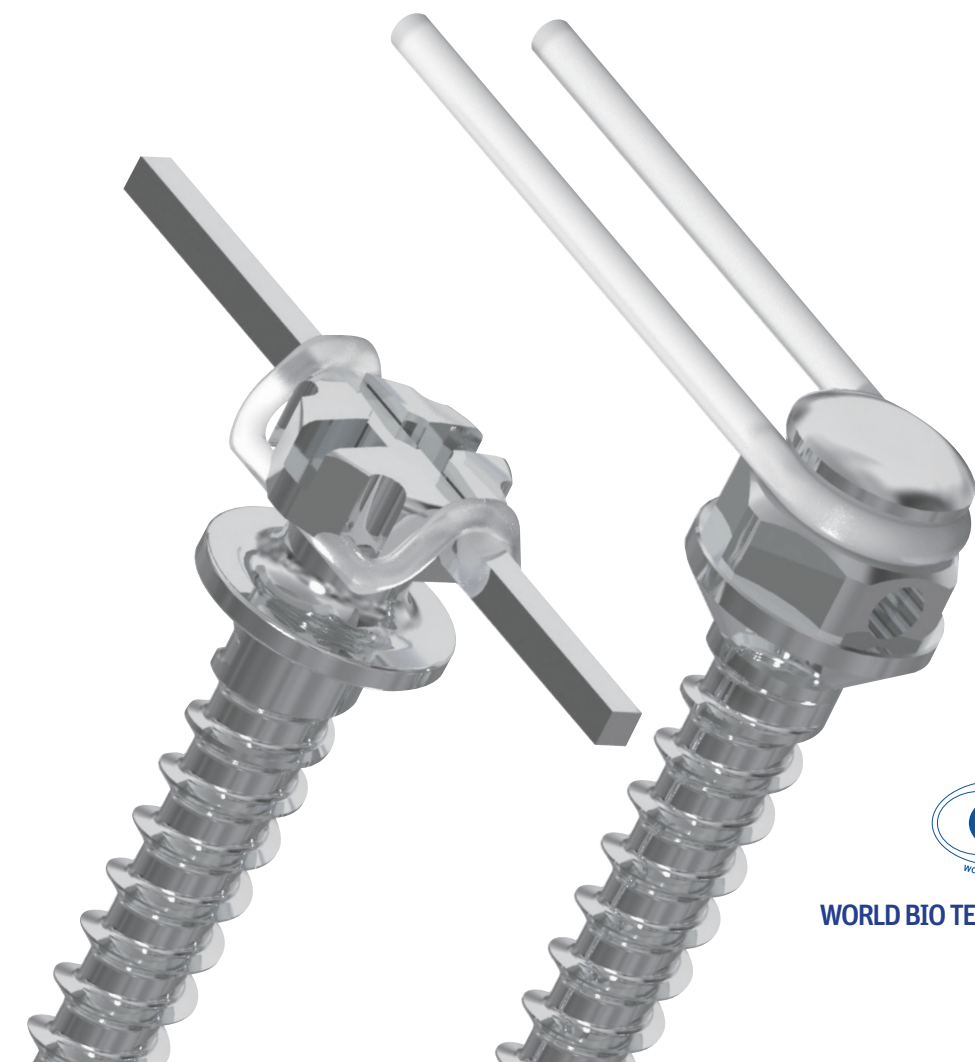


World Bio Tech Co., Ltd.  
#302 BizCenter, SknTechnopark,  
124 Sagimakgol-Ro,  
Jungwon-Gu, Seongnam,  
Gyeonggi-Do, 462-721, Korea  
**Tel** : ++82-31-776-2804  
**Email** : sunny@wbtkorea.com



Ideal generation of  
orthodontic **mini implant**

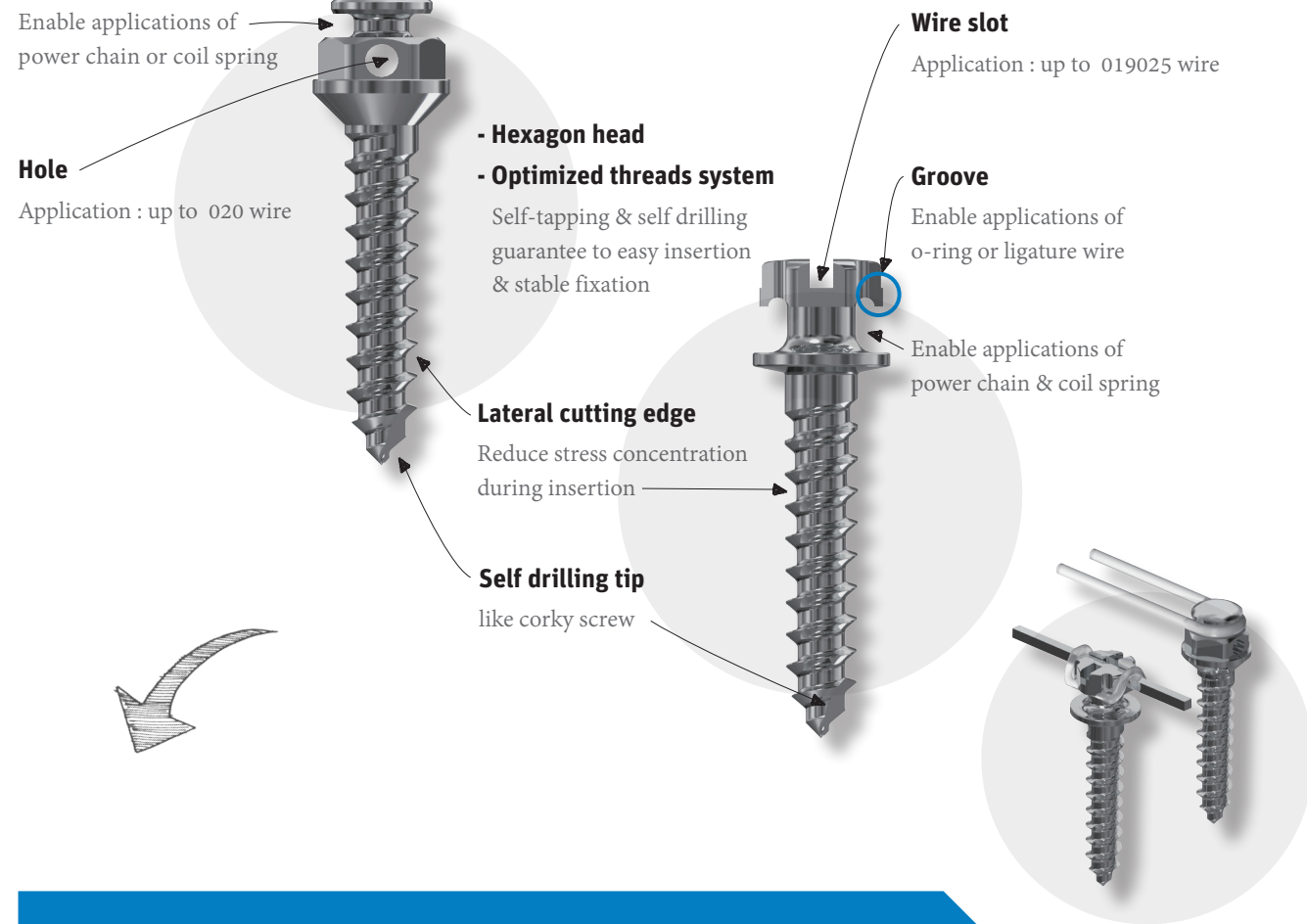
## AI System - 3S screw



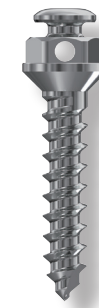
WORLD BIO TECH CO., LTD.

# Revolutionary

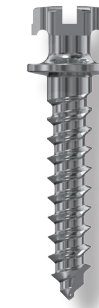
## Mini Implant



## AI System - 3S screw

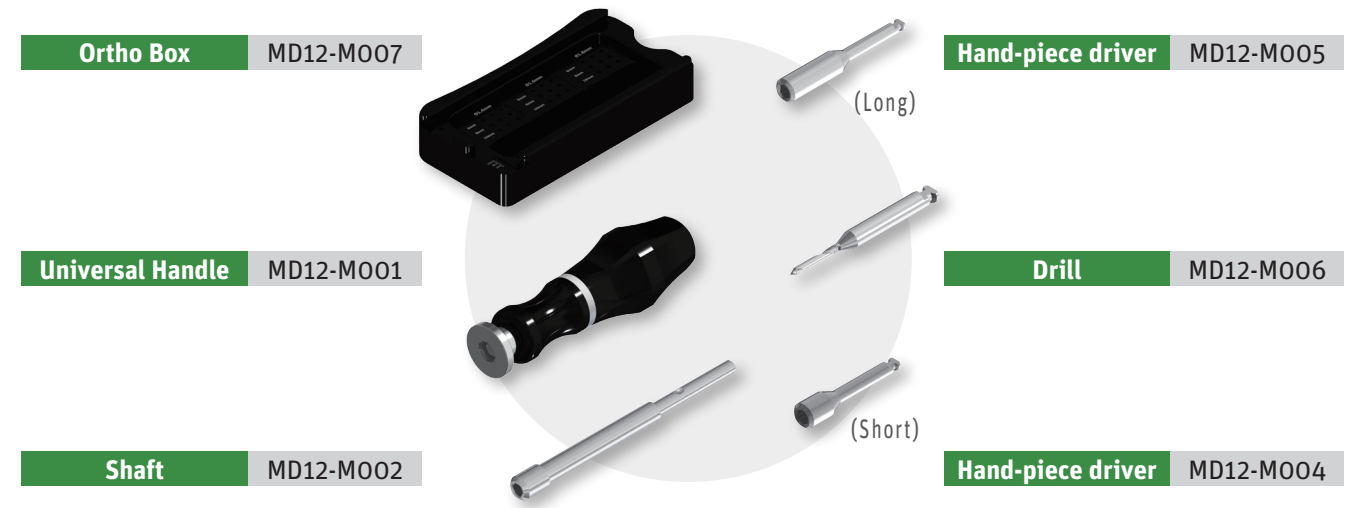


Diameter	Length	Code
1.4mm	6mm	MFU1406
	8mm	MFU1408
	10mm	MFU1410
1.6mm	6mm	MFU1606
	8mm	MFU1608
	10mm	MFU1610
1.8mm	6mm	MFU1806
	8mm	MFU1808
	10mm	MFU1810



Diameter	Length	Code
1.4mm	6mm	MFW1406
	8mm	MFW1408
	10mm	MFW1410
1.6mm	6mm	MFW1606
	8mm	MFW1608
	10mm	MFW1610
1.8mm	6mm	MFW1806
	8mm	MFW1808
	10mm	MFW1810

## Instruments



### Optimized self-drilling system

Initial drilling often causes failure of implant because it rather disturbs initial stability of screw. Our optimized threads system (combination of macro threads & cutting edge) enables self-drilling. In most cases, FIXCREW can be placed without pre-drilling.

### Hole for wire application

- According to various intentions, practitioner can apply wire
- up to 020 to the hole in screw head.

### Wire slot groove for wire application

- Enable the wire pass through wire slot
- up to 019025, and hold the ligature wire or o-ring
- on groove to fasten the wire

### Slim but strong body

Entire design of FIXCREW looks slim it helps smooth insertion than other taper designed screw. Our unique screw body is designed slim & strong and it helps practitioner do easy procedure with guarantee of stable screw fixation. Tapered shape of screw body rather causes more stress concentration during insertion and it often can be broken by the excessive stress.

Ideal generation of orthodontic mini implant

## Clinical data

